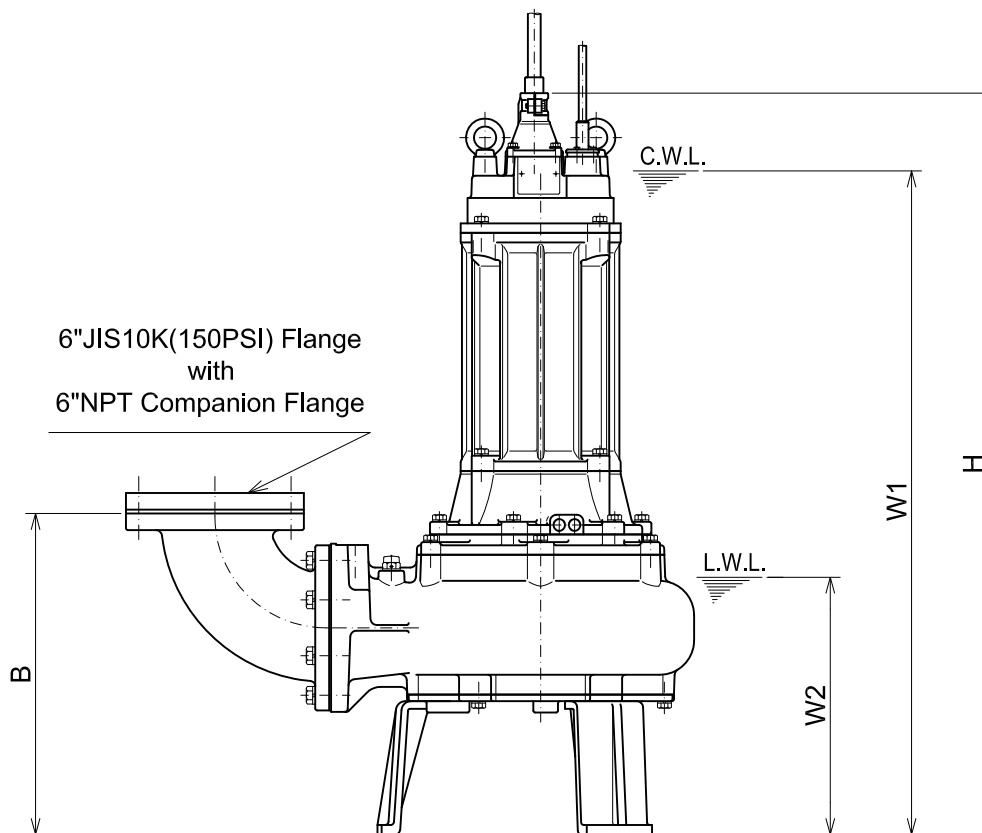
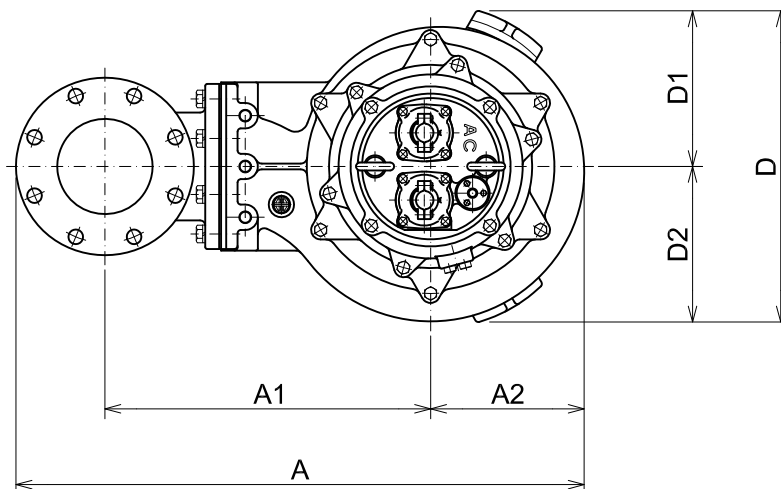




B-SERIES
SEWAGE & WASTEWATER PUMPS

DIMENSIONS

150B415 -63



6"JIS10K(150PSI) Flange
with
6"NPT Companion Flange

C.W.L. :Continuous running Water Level
L.W.L. :Lowest running Water Level

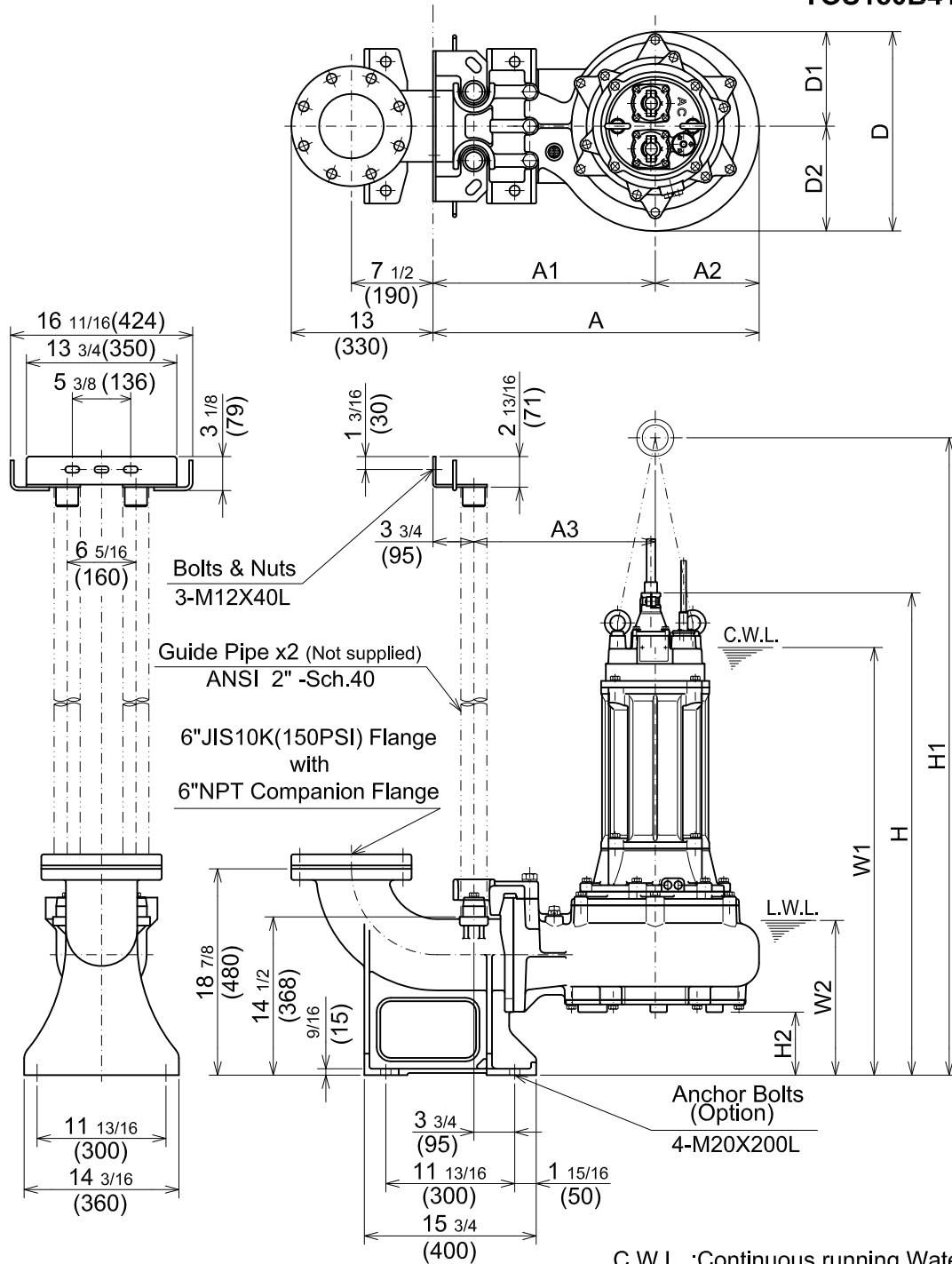
DIMENSIONS:USCS(Inch)

Model	HP	NOM. SIZE	Pump & Motor								C.W.L.	L.W.L.	Wt. (lbs.)
			A	A1	A2	B	D	D1	D2	H			
150B415 -63	20	6"	35 1/4	20 3/16	9 1/2	19 15/16	19 5/16	9 5/8	9 5/8	46	41 1/8	16	595

DIMENSIONS:METRIC(mm)

Model	kW	NOM. SIZE	Pump & Motor								C.W.L.	L.W.L.	Wt. (kg)
			A	A1	A2	B	D	D1	D2	H			
150B415 -63	15	150	895	513	242	506	490	245	245	1168	1045	405	270

TOS150B415 -63



C.W.L. :Continuous running Water Level
L.W.L. :Lowest running Water Level

DIMENSIONS:USCS(Inch)

Model	HP	NOM. SIZE	Pump & Motor										C.W.L.	L.W.L.	Wt. (lbs.)
			A	A1	A2	A3	D	D1	D2	H	H1	H2			
TOS150B415 -63	20	6"	29 7/8	20 3/8	9 1/2	16 5/8	18 1/4	8 11/16	9 5/8	44 3/16	58 3/8	5 13/16	39 1/8	14 1/8	530

DIMENSIONS:METRIC(mm)

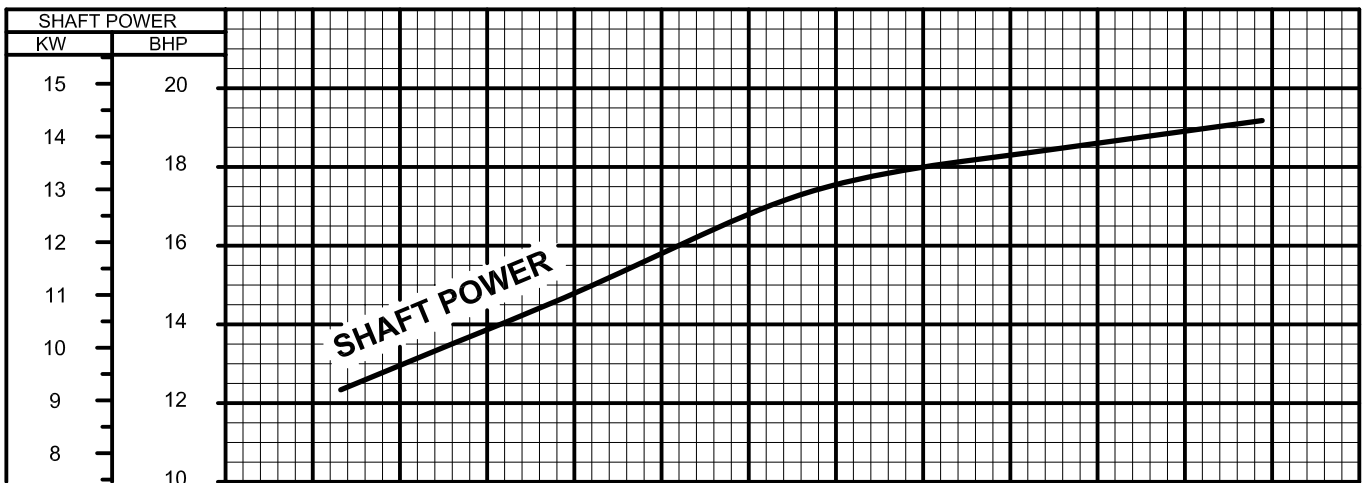
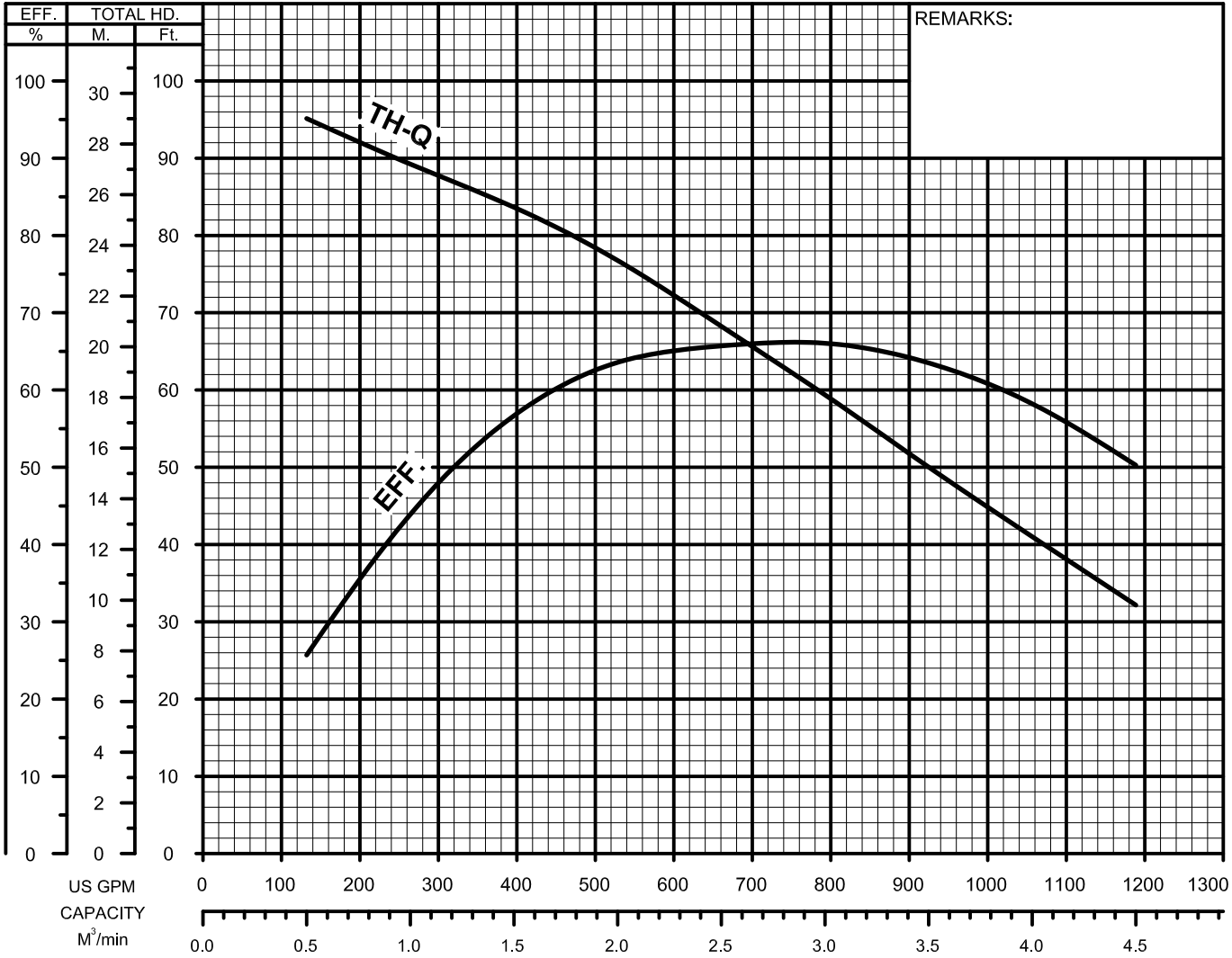
Model	kW	NOM. SIZE	Pump & Motor										C.W.L.	L.W.L.	Wt. (kg)
			A	A1	A2	A3	D	D1	D2	H	H1	H2			
TOS150B415 -63	15	150	759	517	242	422	464	220	244	1122	1483	147	995	360	240

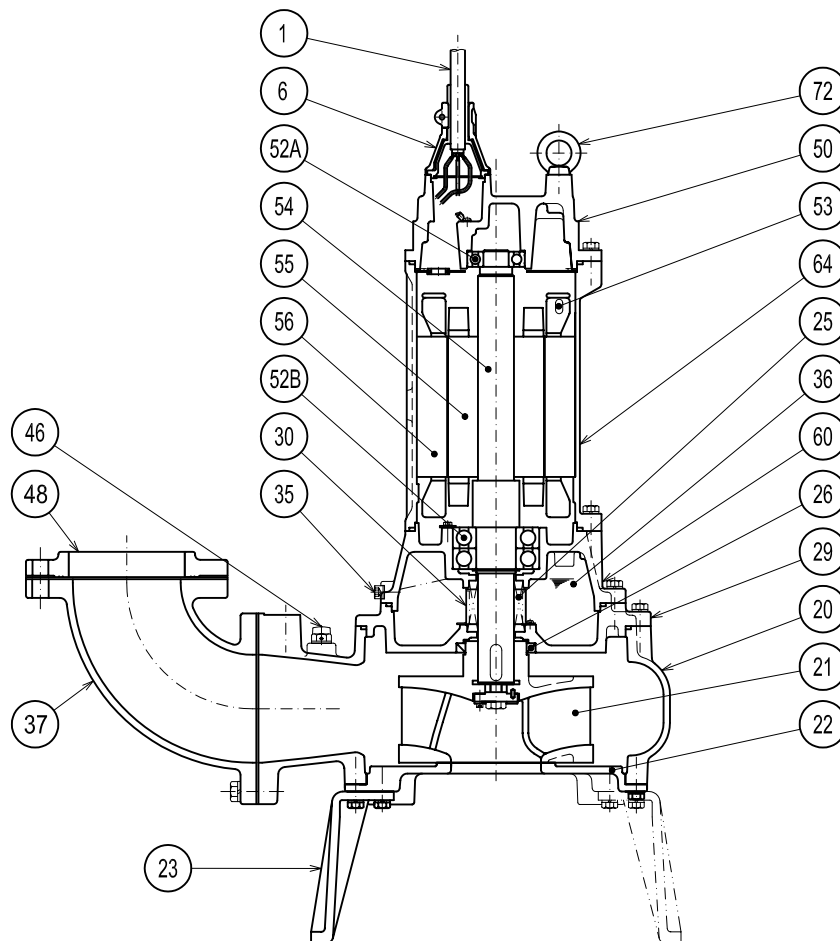


B-SERIES
SEWAGE & WASTEWATER PUMPS

PERFORMANCE
CURVE

MODEL	BORE	HP	KW	RPM	SOLIDS DIA.	LIQUID	SG.	VISCOSITY	TEMP.
(TOS)150B415 -63	6"/150mm	20	15	1739	2.95"/75mm	Water	1.0	1.123cSt.	60°F
PUMP TYPE	PHASE	VOLTAGE	AMPERAGE	HZ	STARTING METHOD	INS.CLASS			
Sewage&Wastewater	3	230/460/575	53.2/26.6/21.6	60	Star-Delta	F			
CURVE No.	DATE	PHASE	VOLTAGE	AMPERAGE	HZ	STARTING METHOD	INS.CLASS		
-	-	-	-	-	-	-	-		



**TSURUMI PUMP**
**B-SERIES
SEWAGE & WASTEWATER PUMPS**
SECTIONAL VIEW
**150B415 -63**

PART#	DESCRIPTION	MAIN MATERIAL / NOTE	RELATED ASTM,AISI CODE	RELATED EN CODE	QTY
1	Power Cable	Chloroprene Sheath AWG 10/4-32ft			1
	Power Cable	Chloroprene Sheath AWG 10/3-32ft			1
	Control Cable	Chloroprene Sheath AWG 14/2-32ft			1
6	Stuffing Box	Cast Iron	A48M Class30B	EN 1561 GJL-200	2
20	Pump Casing	Cast Iron	A48M Class30B	EN 1561 GJL-200	1
21	Impeller	Cast Iron	A48M Class30B	EN 1561 GJL-200	1
22	Suction Cover	Cast Iron	A48M Class30B	EN 1561 GJL-200	1
23	Pump Stand	Ductile Cast Iron	A536 65-45-12	EN 1563 GJS-450-10	3
25	Mechanical Seal	Silicon Carbide / H-50T			1
26	Oil Seal	NBR / TC8511013			1
29	Oil Casing	Cast Iron	A48M Class30B	EN 1561 GJL-200	1
30	Oil Lifter	Steel (Cold Rolled)	A109/A1008	EN 10130	1
35	Oil Plug	Stainless Steel	S 30400	1.4301	2
36	Lubricant	Turbine Oil ISO VG32 or SAE 10W-20			
37	Discharge Bend	Cast Iron	A48M Class30B	EN 1561 GJL-200	1
46	Air Release Valve	Nylon			1
48	Companion Flange	Cast Iron / NPT 6"	A48M Class30B	EN 1561 GJL-200	1
50	Motor Bracket	Cast Iron	A48M Class30B	EN 1561 GJL-200	1
52A	Upper Bearing	AC-#6307ZZC3			1
52B	Lower Bearing	#6311ZZD2C3			1
53	Motor Protector				3
54	Shaft	Stainless Steel	S 42000	1.4028	1
55	Rotor				1
56	Stator				1
60	Bearing Housing	Cast Iron	A48M Class30B	EN 1561 GJL-200	1
64	Motor Housing	Cast Iron	A48M Class30B	EN 1561 GJL-200	1
72	Lifting Lug Bolt	Steel	A283 Grade D	EN 10025 S275	2

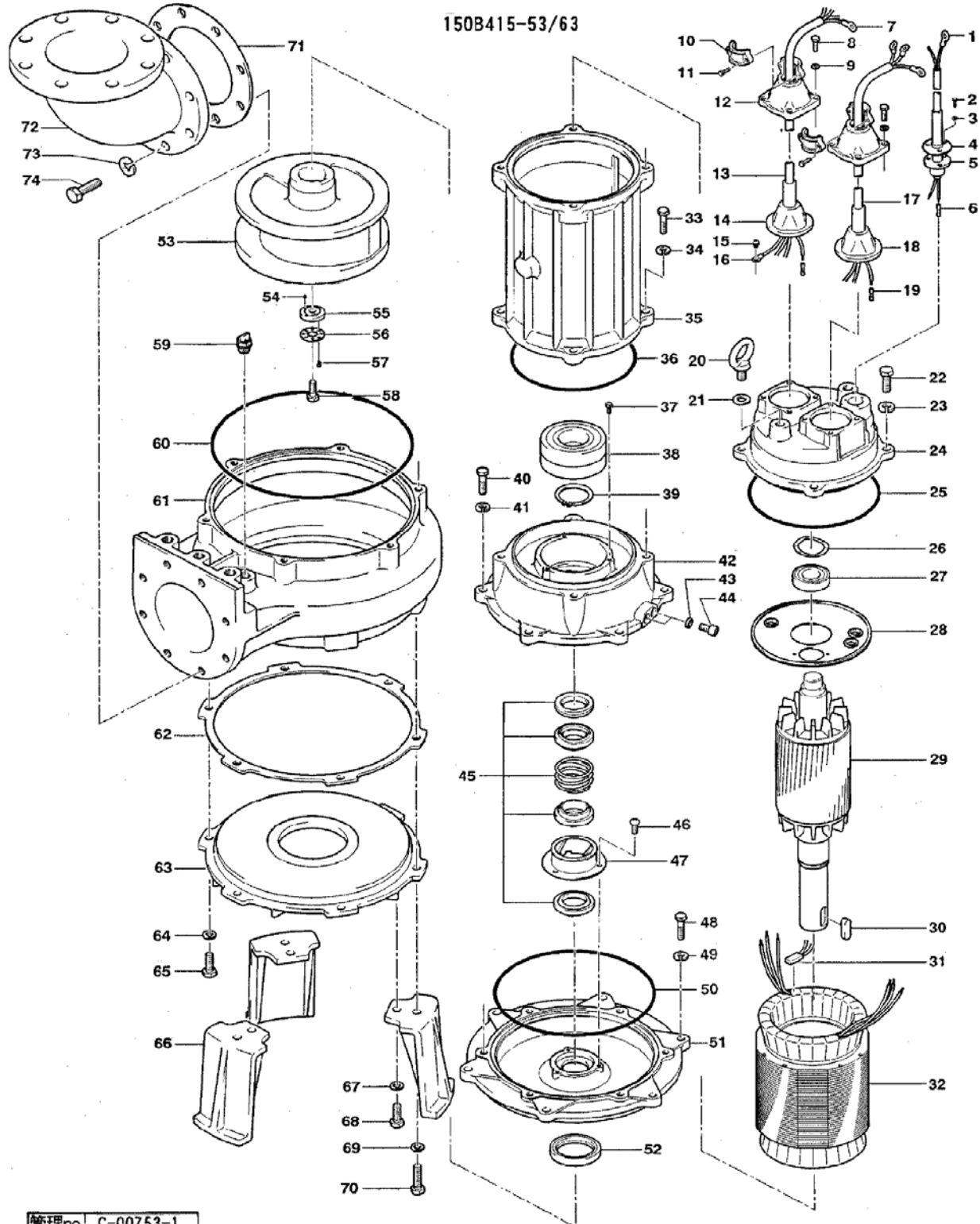
PARTS LIST		SEWAGE & WASTEWATER PUMP			10/26/2017	
ITEM	PART No.	DESCRIPTION	QTY	SIZE	MATERIAL	NOTES
1	009-127-14	Terminal	2	R-1.25-4	CU	
2	140-018-11	Hex.Bolt	3	M5x15	SUS304	
3	142-422-18	Seal Washer	3	PM-5	SUS+NBR	
4	003-111-20	Gland	1		SUS304	**included in ITEM 5 cable assembly
5	001-890-24	Cabtyre Cable Set (32') 60Hz(USA)	1	2PNCT2Cx1.25mm2	BE/CE	
6	009-274-17	Compression type Terminal 60Hz(USA)	2	TMNB-2(Insulated)		
7	009-131-11	Terminal	7	R-5.5-6	CU	
8	140-055-10	Hex.Bolt	8	M8x25	SUS304	
9	142-163-18	Spring Washer	8	M8	SUS304	
10	070-107-18	Cable Clamp	2		FC	**included in ITEM 13 cable assembly **included in ITEM 17 cable assembly
11	140-035-14	Hex.Bolt	4	M6x20	SUS304	**included in ITEM 13 cable assembly **included in ITEM 17 cable assembly
12	006-126-14	Stuffing Box	2	No.2	FC	**included in ITEM 13 cable assembly **included in ITEM 17 cable assembly
13	001-938-25	Cabtyre Cable Set (32')60Hz(USA)	1	2PNCT4Cx5.5mm2	KR-2	
14	008-143-13	Mould Cover 60Hz(USA)	1	KR2-8	CR	**included in ITEM 13 cable assembly
15	143-085-21	Pan Screw (w/Spring Washer)	1	M4x6	SWRM	
16	009-130-10	Terminal	1	R-5.5-4	CU	
17	001-939-26	Cabtyre Cable Set (32')60Hz(USA)	1	2PNCT3Cx5.5mm2	KR-2	
18	008-136-13	Mould Cover 230V-60Hz(USA)	1	KR2-1	CR	**included in ITEM 17 cable assembly
19	009-276-19	Compression type Terminal 60Hz(USA)	6	TMNB-5.5(Insulated)		
20	072-107-14	Eye Bolt	2	M16	SS	can substitute 072-107-27 (SUS304)
21	142-399-15	Washer		d17xd29x0.1t	SUS304	
	142-400-10	Washer		d17xd29x0.3t	SUS304	
22	140-098-15	Hex.Bolt	4	M12x35	SUS304	
23	142-165-10	Spring Washer	4	M12	SUS304	
24	050-000-24	Motor Bracket	1		FC	
25	122-173-19	O-Ring	1	V-225(222.5xd6)	NBR	*
26	142-199-13	Wave Washer	1	6208/6307	SK5	
27	052-000-26	Bearing (w/O-ring)	1	AC-6307ZZC3		
28	058-000-09	Lead Wire Protection Plate	1	d86xd224x1.6t	SPHC	
29	055-000-86	Rotor	1Set			
30	147-000-15	Impeller Key	1	16x10x50	SUS420	
31	053-310-13	Motor Protector	3	9700K-76-215	(H)	
32	056-B96-10	Stator 230V-60Hz(USA)	1Set			
	056-B97-11	Stator 460V-60Hz(USA)	1Set			
	056-C00-18	Stator 575V-60Hz(USA)	1Set			
33	140-100-11	Hex.Bolt	4	M12x45	SUS304	
34	142-165-10	Spring Washer	4	M12	SUS304	
35	064-000-42	Motor Frame	1		FC	

PARTS LIST		SEWAGE & WASTEWATER PUMP			10/26/2017	
ITEM	PART No.	DESCRIPTION	QTY	SIZE	MATERIAL	NOTES
36	122-173-19	O-Ring	1	V-225(222.5xd6)	NBR	*
37	140-000-06	Hex.Bolt (w/Spring Washer/Plain Washer)	3	M6x12	SWCH	
38	052-142-19	Bearing	1Set	6311ZZD2C3		
39	146-031-18	Retaining Ring	1	C55	SK5	
40	140-099-16	Hex.Bolt	6	M12x40	SUS304	
41	142-165-10	Spring Washer	6	M12	SUS304	
42	060-000-56	Bearing Housing	1		FC	
43	121-247-12	Packing	2	d12.3xd18x2t	PE	*
44	035-113-18	Oil Plug	2	M12x14	SUS304	
45	025-000-65	Mechanical Seal	1	H-50TX(E)	SiC	interchangeable with OLD part# 025-268-18
46	143-028-13	Pan Screw	3	M5x10	SWRM	
47	030-133-19	Oil Lifter	1	H-50(T)	SPCC	
48	140-099-16	Hex.Bolt	6	M12x40	SUS304	
49	142-165-10	Spring Washer	6	M12	SUS304	
50	122-160-13	O-Ring	1	G-290(289.3xd5.7)	NBR	*
51	029-000-28	Oil Casing	1	100SC415-53/63	FC	
52	026-000-11	Oil Seal	1	TC-8511013	NBR	
53	021-004-51	Impeller (60Hz)	1	150B415-63	FC	270mm
54	145-035-19	Taper Pin	1	5x10	SUS304	
55	142-430-19	Impeller Fixing Washer	1	d18xd60x11t	SUS304	
56	217-020-17	Fixing Plate	1	d60x3t M16(B=24)	SUS304	
57	140-232-13	Hex.Socket Cap Bolt	2	M5x10	SUS304	
58	140-126-13	Hex.Bolt	1	M16x50	SUS304	
59	046-107-13	Air Release Valve	1	PT-1/2	Nylon	
60	122-270-17	O-Ring	1	350xd5.7	NBR	*
61	020-001-15	Pump Casing	1	150SC411/15-51/61	FC	
62	120-106-15	Packing (S.Cover)		d360xd390x0.5t	PE	
63	022-000-75	Suction Cover	1	150B411-53/63	FC	
64	142-165-10	Spring Washer	3	M12	SUS304	
65	140-097-14	Hex.Bolt	3	M12x30	SUS304	
66	023-289-19	Pump Stand	3	200-11-4B2	FCD	
67	142-165-10	Spring Washer	3	M12	SUS304	
68	140-097-14	Hex.Bolt	3	M12x30	SUS304	
69	142-165-10	Spring Washer	3	M12	SUS304	
70	140-100-11	Hex.Bolt	3	M12x45	SUS304	
71	121-165-28	Packing	1	JIS5Kx150mm	NR	
72	037-119-10	Discharge Bend	1	150x150mm	FC	
73	142-166-11	Spring Washer	8	M16	SUS304	

PARTS LIST		SEWAGE & WASTEWATER PUMP			10/26/2017	
ITEM	PART No.	DESCRIPTION	QTY	SIZE	MATERIAL	NOTES
74	140-127-14	Hex.Bolt	8	M16x55	SUS304	
	048-000-51	Screwed Flange	1	NPT-6(JIS10K)	FC	
	140-155-24	Hex.Bolt	8	M20x85	SWRM	
	141-009-12	Hex.Nut	8	M20	SUS304	
	142-168-26	Spring Washer	8	M20	SWRH	
	121-108-23	Packing	1	JIS10Kx150mm	NR	
		Guide rail rail fittings				
64	142-165-10	Spring Washer	6	M12	SUS304	
65	140-097-14	Hex.Bolt	6	M12x30	SUS304	
	093-134-15	Guide Hook	1	TOS-150	FCD	
	140-153-19	Hex.Bolt	3	M20x75	SUS304	
	142-168-13	Spring Washer	3	M20	SUS304	
	091-156-17	Duck Foot Bend(JIS10K)	1	TOS-150	FC	
	096-102-13	Guide Connector	2	51mm	FC	
	140-103-14	Hex.Bolt	2	M12x60	SUS304	
	142-165-10	Spring Washer	2	M12	SUS304	
	094-211-10	Guide Support	1	TOS-150C	SUS304	
	140-099-16	Hex.Bolt	3	M12x40	SUS304	
	141-007-10	Hex.Nut	3	M12	SUS304	
	142-129-12	Plain Washer	3	M12	SUS304	
	173-001-17	Packing O-Ring Set	1Set	(Marked by *)		
25	122-173-19	O-Ring (M.Bracket/M.Frame)	1	V-225(222.5xd6)	NBR	*
36	122-173-19	O-Ring (M.Frame/Brg.Housing)	1	V-225(222.5xd6)	NBR	*
43	121-247-12	Packing (Oil Plug)	2	d12.3xd18x2t	PE	*
50	122-160-13	O-Ring (Brg.Housing/O.Casing)	1	G-290(289.3xd5.7)	NBR	*
60	122-270-17	O-Ring (O.Casing/P.Casing)	1	350xd5.7	NBR	*
		Lubricant		Turbine Oil VG32 4,800ml		
		Chain&Shackle (SS)				
	095-000-35	Chain	1	9mmx2(10L)	SS	
	011-000-16	Shackle	1	12mm	SS	
	095-176-28	Chain	1	9mmx5M	SS	
	011-000-16	Shackle	2	12mm	SS	

PARTS LIST		SEWAGE & WASTEWATER PUMP				10/26/2017
ITEM	PART No.	DESCRIPTION	QTY	SIZE	MATERIAL	NOTES

EXPLODED VIEW



管理no. C-00753-1